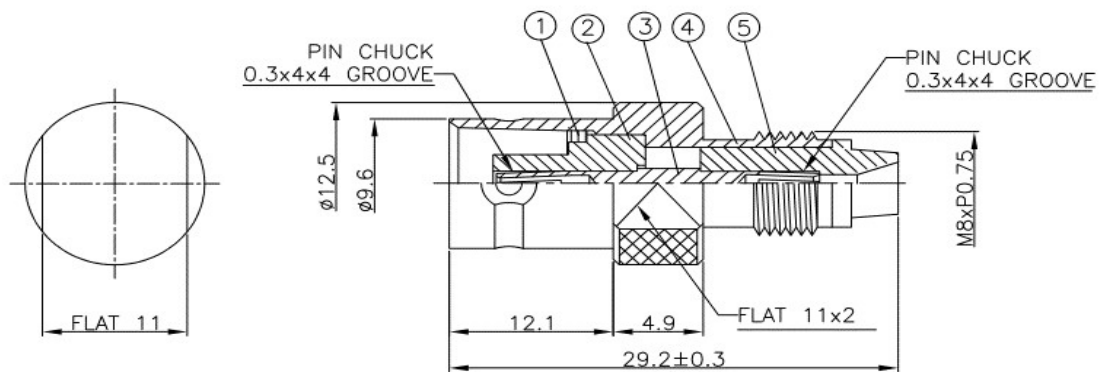
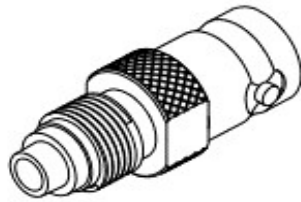


# NI - 119

## FME Kupplung / BNC Kupplung



NO	DESCRIPTION	MATERIAL	Q' TY	FINISH
1	WASHER	BRASS	1	NICKEL
2	INSULATION	DELRIN	1	DELRIN
3	PIN	BRASS	1	GOLD
4	BODY	BRASS	1	NICKEL
5	INSULATION	DELRIN	1	DELRIN